

Haas VM-3 Mold Maker VMC



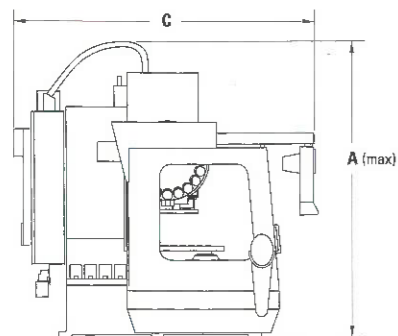
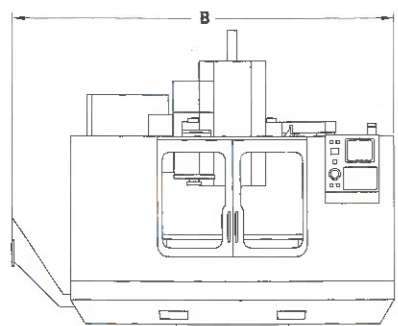
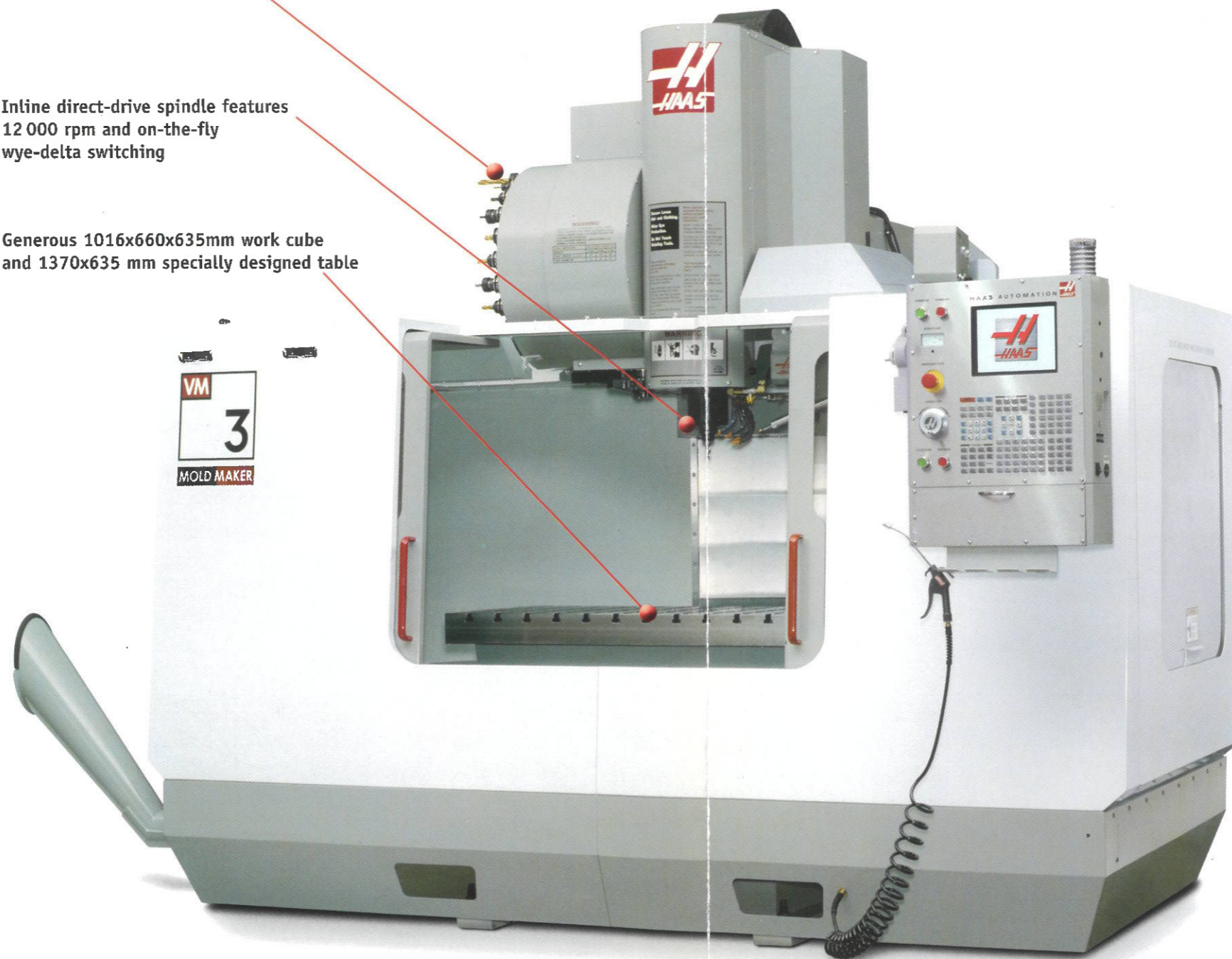
Standard Features

- 22 kW Vector Dual Drive
- 12 000-rpm 40-Taper Spindle
- Inline Direct Drive
- 24+1 Side-Mount Tool Changer
- Programmable Coolant
- High-Speed Machining w/Look-ahead
- Rigid Tapping
- Visual Quick Code Programming
- Hard Drive w/Ethernet Interface
- 3,5" Floppy Disk Drive
- Chip Auger System
- Automatic Air Gun
- ISO Standard G-Code Programming
- High-Intensity Lighting
- Spindle Orientation
- Coordinate Rotation & Scaling
- User-Definable Macros
- Remote Jog Handle
- Brushless Servos on All Axes
- Made in the USA

Side-mount tool changer (24+1 tools)
swaps tools in just 2,8 seconds

Inline direct-drive spindle features
12 000 rpm and on-the-fly
wye-delta switching

Generous 1016x660x635mm work cube
and 1370x635 mm specially designed table



Operating Dimensions	VM3
A. Max Operating Height	3 150 mm
B. Max Operating Width	3 810 mm
C. Max Operating Depth [†]	3 429 mm

[†] Allow an additional 889 mm to open rear service panel.

Warranty: 1 Year Parts and Labor

Specifications

Travels	VM-2	VM-3
X	762 mm	1 016 mm
Y	508 mm	660 mm
Z	508 mm	635 mm

Table

Length	917 mm	1 372 mm
Width	457 mm	635 mm
Max Weight on Table	1361 mm	1 588 kg

Spindle

Speed	12 000 rpm
Drive System	Inline Direct Drive
Max Torque	102 Nm @ 2 100 rpm
Max Rating	22,4 kW

Brushless Axis Motors

Max Thrust Rating	X Axis	Y Axis	Z Axis
X Axis	15124 N	24 910 N	24 910 N
Y Axis	15124 N	24 910 N	24 910 N
Z Axis	15124 N	24 910 N	24 910 N

Feedrates

Max Rapids	18 m/min	18 m/min
Max Cutting	12,7 m/min	12,7 m/min

Tool Changer

Capacity	24+1 (40 optional)
Tool Type/Taper	CT 40
Max Tool Diameter	76 mm
Tool to Tool	2,8 sec
Chip to Chip	3,6 sec

Accuracy

Positioning	±0,0051 mm
Repeatability	±0,0025 mm

General

Machine Weight	3311 kg	6 350 kg
Power Required (min)	400 VAC 3-Phase	



Prices and specifications subject to change without notice.
Not responsible for typographical errors.
Machine shown with optional equipment.

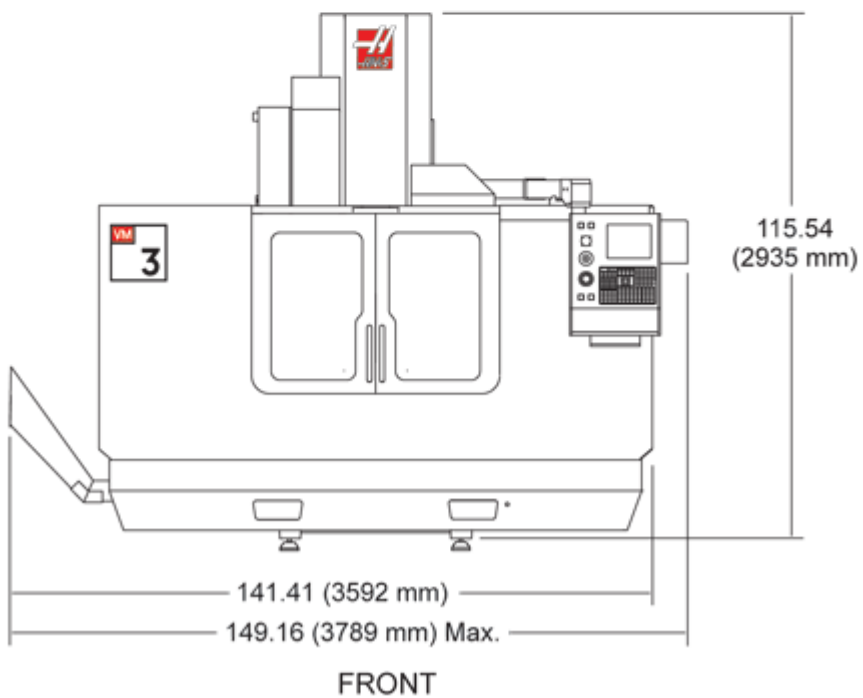
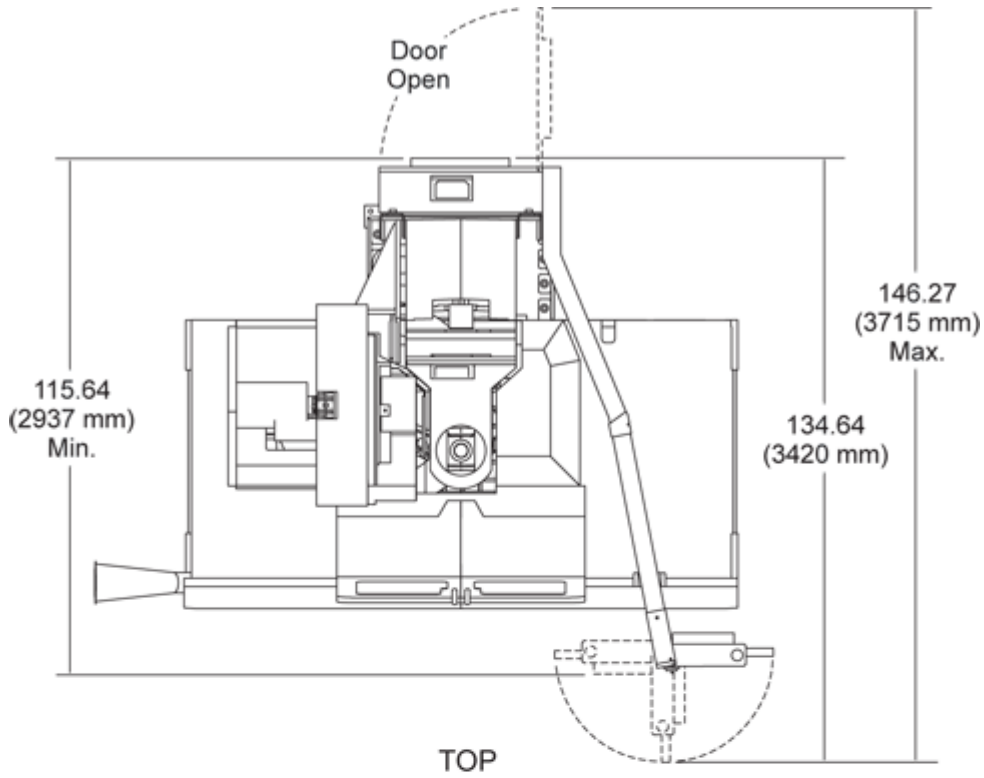
Haas VM-3 VMCs are available only at a Haas Factory Outlet (HFO).
For your local HFO, contact +32-2-522-99-05 or go to www.HaasCNC.com.

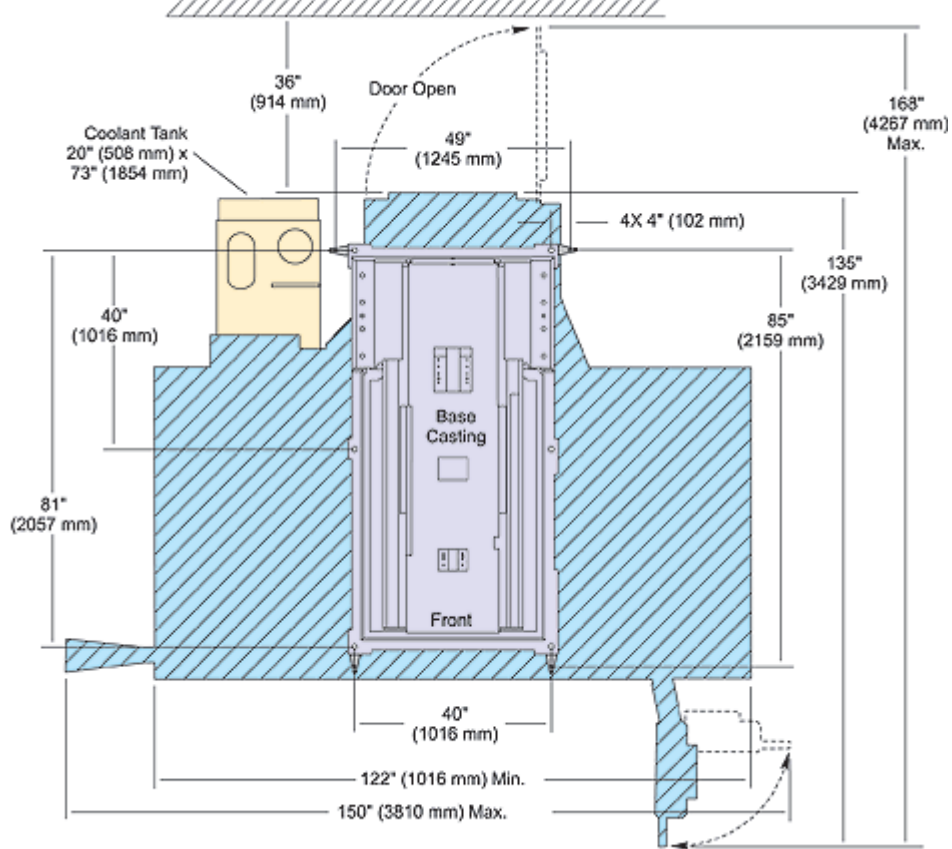


VM-3HE DIMENSIONES

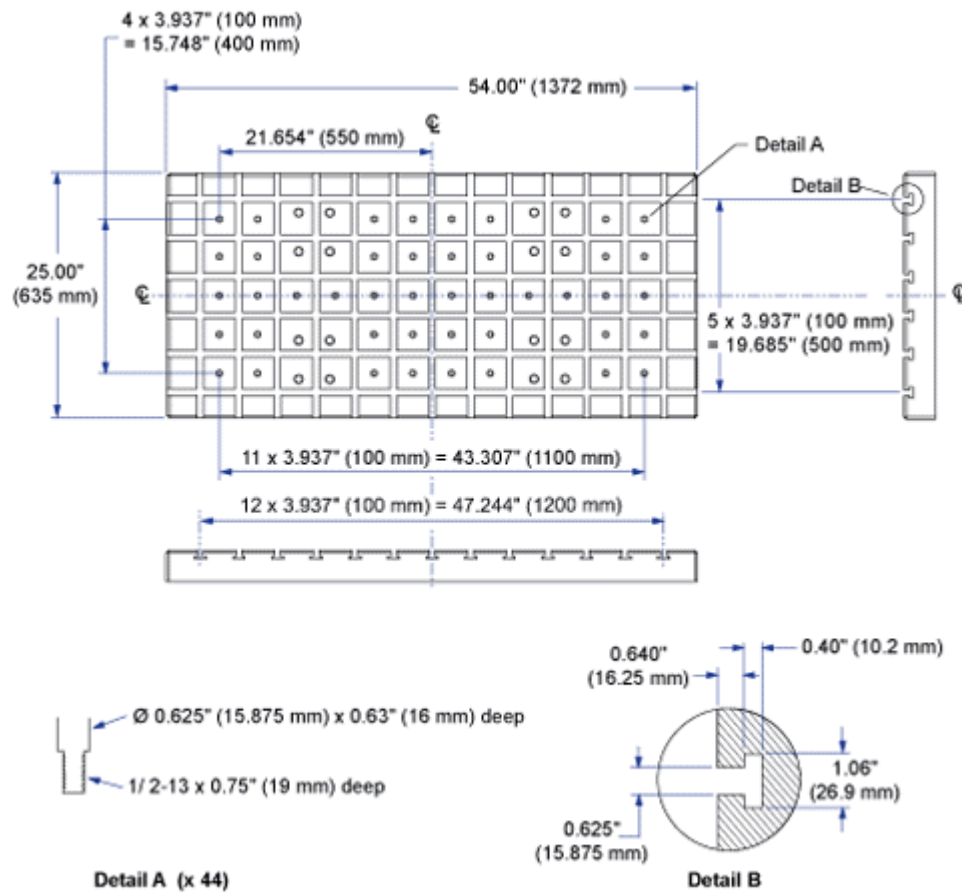


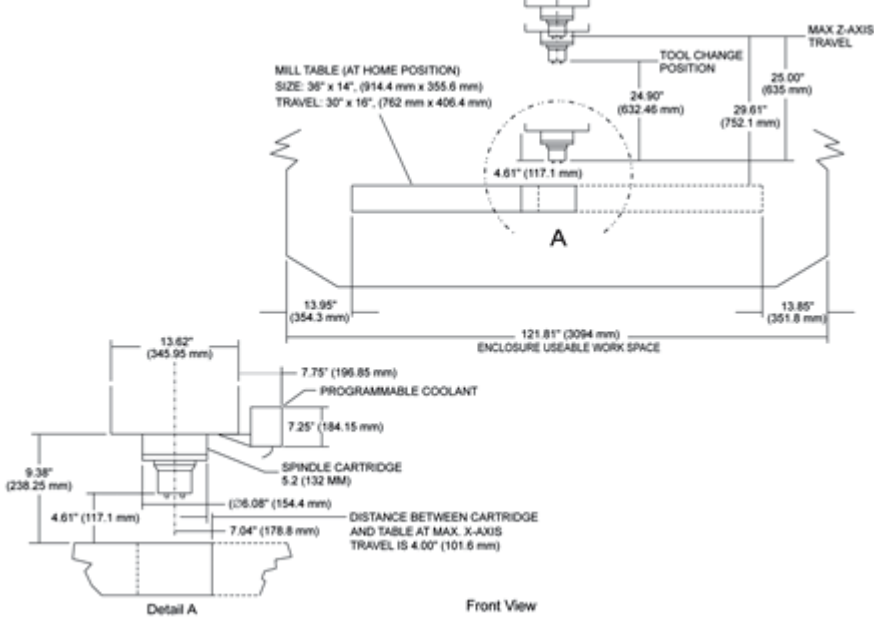
[Vea las dimensiones del envío](#)



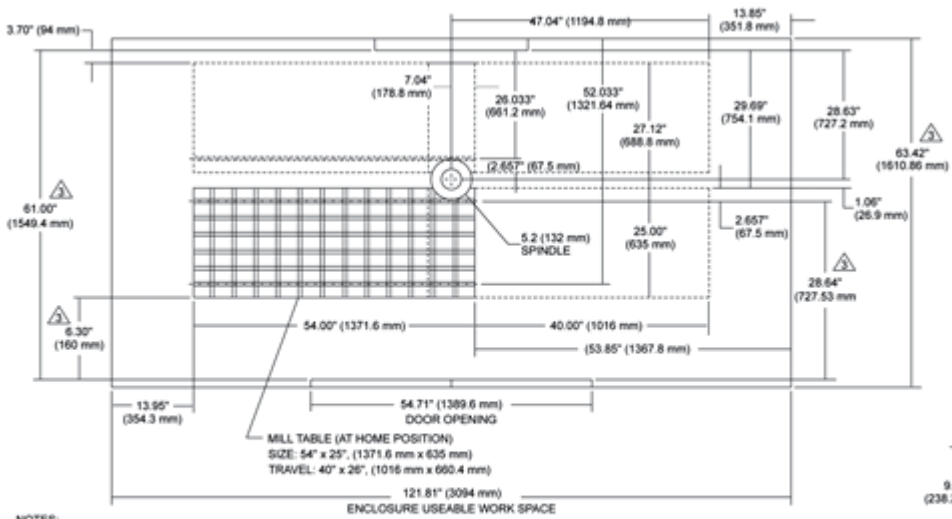


The VM-3 Table





Front View



Top View

- NOTES:
1. TABLE POSITION(S) AT MAX X & Y TRAVELS.
 2. MEASUREMENTS ARE FROM THE EDGE OF MILL TABLE TO NEAREST OBSTRUCTION (ie. ENCLOSURE, WAY COVER, DOORS, ECT.).
 3. DIMENSIONS ARE REDUCED AS HEIGHT ABOVE TABLE INCREASES:
 - ie. FRONT OF ENCLOSURE IS SLOPED 5° INWARD FROM BOTTOM TO TOP.

9.3
(238.2)